

**RESPONSIVE** 

# IMPACT

®

A BETTER FLOOR

# COASTAL

®

**SPC FLOORING**



UNILIN™ CLICK SYSTEM | PAINTED BEVEL

# COASTAL<sup>®</sup>

SPC FLOORING: UNILIN™ CLICK SYSTEM



**SIZE:** 7.25" x 60"

**THICKNESS:** 6.00 MM

**WEAR LAYER:** 28 MIL | 0.70 MM

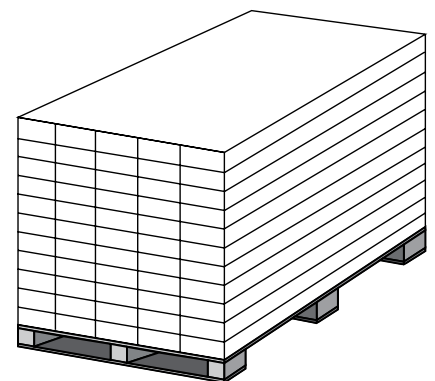
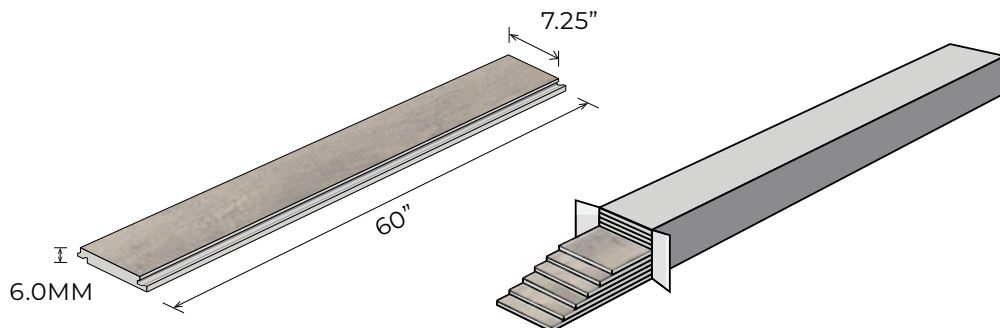
**TEXTURE:** EIR

**EDGE FINISH:** ENHANCED PAINTED BEVEL

**PIECES:** 8 PER CARTON

**COVERAGE:** 24.02 SQ FT / 2.23 M<sup>2</sup> / CARTON

**INTERLOCK:** UNILIN™ CLICK SYSTEM



7.25" x 60" x 6.0MM  
183 mm X 1524 mm x 6.0MM

8 PCS/CARTON  
24.02 SQ.FT/CARTON  
46.80 LBS/CARTON

55 CARTONS/PALLET  
2570 LBS/PALLET

# COASTAL®

## SPC FLOORING: UNILIN™ CLICK SYSTEM

SPC FLOORING FOR HEAVY COMMERCIAL USE | PUR Polyurethane Reinforcement | Product Standard COASTAL® ASTM F3261-17

CERTIFICATION & CLASSIFICATION	STANDARD	COASTAL®
TYPE OF FLOOR COVERING	ASTM F3261   EN 16511	RESILIENT FLOORING IN MODULAR FORMAT WITH RIGID CORE (SPC)
CE CERTIFICATION	EN 14041	YES
CLASSIFICATION	EN ISO 10874	HEAVY TRAFFIC: DOMESTIC 23   COMMERCIAL 33
TECHNICAL CHARACTERISTICS	STANDARDS	COASTAL®
TOTAL THICKNESS	EN ISO 24336 (EN 428)	6.00 MM
WEAR LAYER THICKNESS	EN ISO 24340 (EN 429)	28 MIL WL   0.70 MM
SURFACE TREATMENT	UV TREATED	RQ PROTECT
TOTAL WEIGHT	EN ISO 23997 (EN 430)	46.80 LBS / CARTON = 21.23 KG / CARTON 2570 LBS / PALLET = 1166 KG / PALLET
WEAR LAYER BINDER CONTENT	ISO 10582	TYPE I
FORM OF DELIVERY	EN ISO 24342 ( EN 427 ) PLANKS IN CARTON	7.25" X 60" = 24.02 SF / CARTON
		183 mm X 1524 mm = 2.23 m <sup>2</sup> / CARTON
	PIECES	8 PIECES PER CARTON
	CARTONS	55 CARTONS / PALLET
	EDGE FINISH	ENHANCED PAINTED BEVEL
TECHNICAL PERFORMANCES	STANDARDS	COASTAL®
DIMENSIONAL STABILITY	EN ISO 23999 ( EN 434)	< 0.10%
REACTION TO FIRE	EN 13501 – 1	BFL- S1   PASS
RESIDUAL INDENTATION	EN ISO 24343-1 (EN 433)	REQUIRED VALUE : < 0.10 MM AVERAGE MEASURED VALUE : 0.03 MM
FURNITURE LEG	EN 424	NO DAMAGE
CASTOR CHAIR	EN ISO 4918 (EN 425)	NO DAMAGE
CURL RESULTANT TO HEAT	EN ISO 23999 (434)	< 2MM   PASS
IMPACT SOUND REDUCTION	EN ISO 140-8 EN ISO 717/2	Δ LNW = 21 DB
LIGHT FASTNESS	EN ISO 105 – B02	PASS
RESISTANCE TO CHEMICALS	EN ISO 26987 (EN423)	GOOD RESISTANCE   PASS
SLIP RESISTANCE	DIN51130   EN 13893	R9   PASS
STATIC LOAD	ASTM F970 / F387	PASS



**ISO 9001**  
**ISO 14001**  
**ISO 18001**



LIMITED RESIDENTIAL WARRANTY



LIGHT COMMERCIAL WARRANTY



EN 14041



# COASTAL<sup>®</sup>

## SPC FLOORING: UNILIN™ CLICK SYSTEM

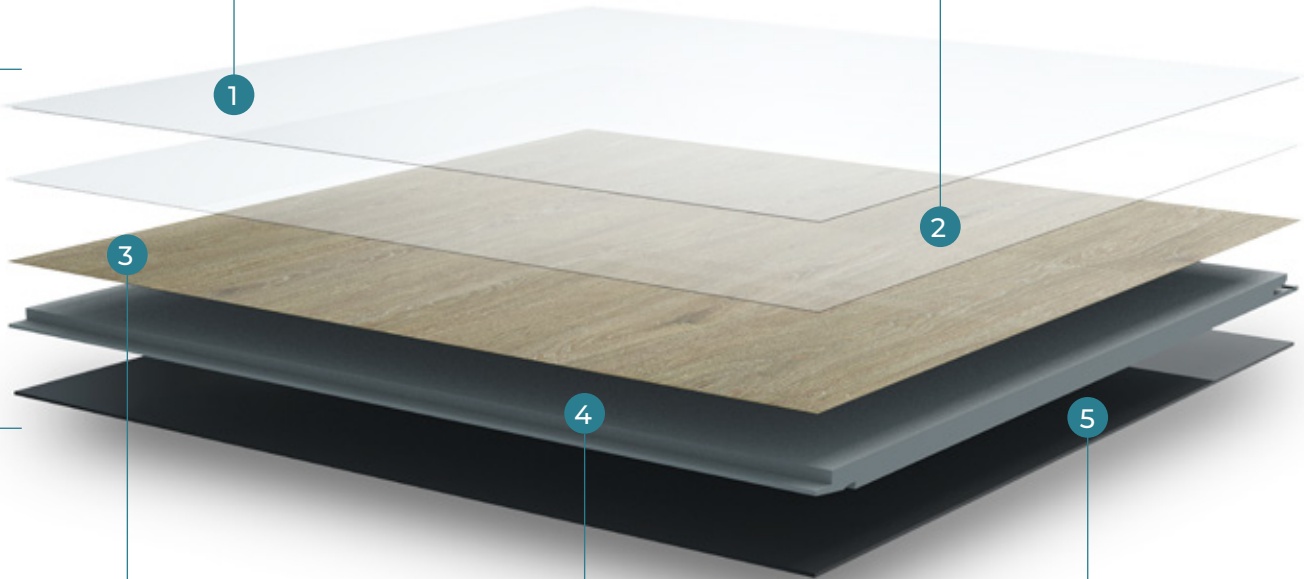
### UV SURFACE TREATMENT: Thickness In Microns

- Super Stain And Scratch Resistant
- Completely Waterproof
- No Bugs No Termites

### TRANSPARENT WEAR LAYER: 0.70 mm

- Enhances the Color And Embossing
- Protects From Abrasion

OVER ALL THICKNESS: 6.00 mm



### FILM LAYER: 0.10 mm

- Elegant Wood Designs
- Natural Looking, Natural Feeling

### RIGID CORE: 3.7 mm

- Sturdy Construction
- Dimensional Stability
- UNILIN™ Click System
- Quick And Easy Installation

### IXPE Backing: 1.50 mm

- 1.50 mm IXPE Backing With Good Grip
- Insulates Sound
- Provides Underfoot Comfort

## FEATURES & BENEFITS

## APPLICATIONS



100%  
Waterproof



Click Installation  
No Adhesive



Superior Scratch  
& Stain Resistant



No Bugs  
& Termites



Easy  
Clean



No Sub-Floor  
Required



Corporate  
Offices



Residential



Natural Looking  
Design



Zero  
Maintenance



Superb  
Dimensional  
Stability



Endures  
Medium  
Foot Traffic



Excellent  
Sound  
Insulation



Multiple Color  
Combinations



Retail



Hospitality

**RESPONSIVE** 

**VALENCIA**  
CST-101



**RESPONSIVE** 

**VALENCIA**  
CST-101



A B C D E



**RESPONSIVE** 

**BARCELONA**  
CST-102



**RESPONSIVE** 

**BARCELONA**  
CST-102



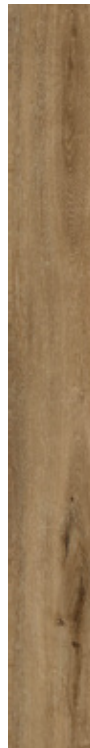
A

B

C

D

E





RESPONSIVE 

MYKONOS

CST-103



RESPONSIVE 

MYKONOS  
CST-103



A      B      C      D      E



**RESPONSIVE** 

**NAPLES**  
CST-104



**RESPONSIVE**



**NAPLES**

**CST-104**



A

B

C

D

E



**RESPONSIVE** 

**VENICE**  
CST-105



**RESPONSIVE** 

**VENICE**

**CST-105**



A B C D E



**RESPONSIVE** 

**SANTORINI**

CST-106



RESPONSIVE 

SANTORINI  
CST-106



A

B

C

D

E





**RESPONSIVE** 

**GENOA**  
CST-107



**RESPONSIVE**

**GENOA**  
CST-107



A

B

C

D

E



**RESPONSIVE** 

**CANNES**  
CST-108



**RESPONSIVE** 

**CANNES**  
CST-108



A

B

C

D

E



**RESPONSIVE** 

**CORSICA**  
CST-109



**RESPONSIVE** 

**CORSICA**  
CST-109



A

B

C

D

E



**RESPONSIVE** 

**ALEXANDRIA**

CST-110

RESPONSIVE 

ALEXANDRIA  
CST-110



A

B

C

D

E

